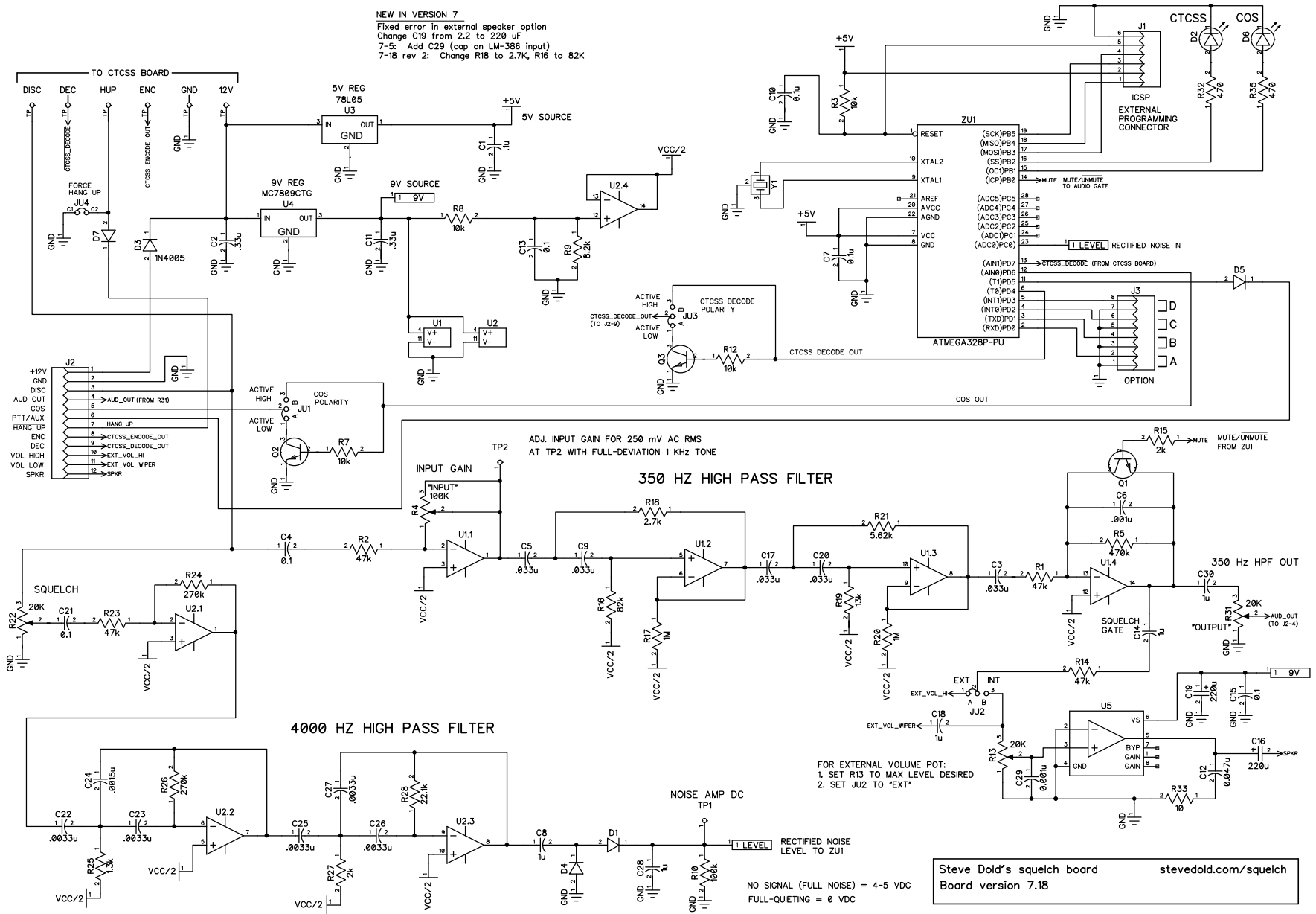


NEW IN VERSION 7
 Fixed error in external speaker option
 Change C19 from 2.2 to 220 uF
 7-5: Add C29 (cap on LM-386 input)
 7-18 rev 2: Change R18 to 2.7K, R16 to 82K



ADJ. INPUT GAIN FOR 250 mV AC RMS
 AT TP2 WITH FULL-DEVIATION 1 KHz TONE

350 HZ HIGH PASS FILTER

4000 HZ HIGH PASS FILTER

NOISE AMP DC
 TP1

NO SIGNAL (FULL NOISE) = 4-5 VDC
 FULL-QUIETING = 0 VDC

Steve Dold's squelch board
 Board version 7.18
 stevedold.com/squelch

